

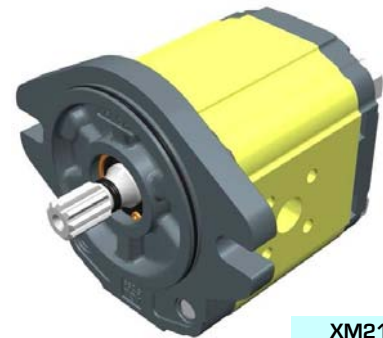
reversible motor - series XV

XV-2M

SAE A TYPE MOTOR
ø82.5 FLANGE - SPLINED SHAFT

X 2 M 51 31 I R R E

Series	X	series XV
Group	2	group 2
Category	M	reversible motor
Displacement	51	17
Flange	31	Ø82.5 SAE A reversible rotation (with OR)
Shaft	I	SCF04 - Splined ø15.456 z=9, H=22.5 - SAE J498 9T 16/32DP
Body	IN	inlet - Ø35 a 45° Ø15 M6
	OUT	outlet - Ø35 a 45° Ø15 M6
Cover	E	with external drainage



XM219

Technical data table

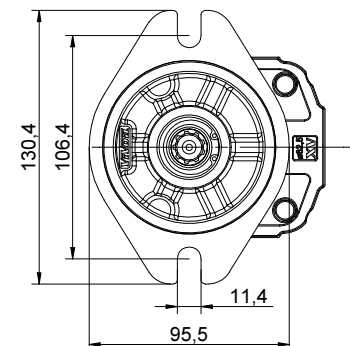
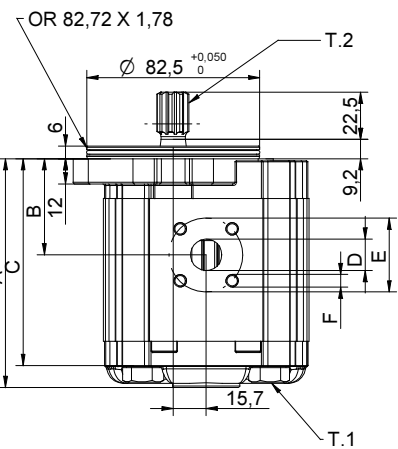
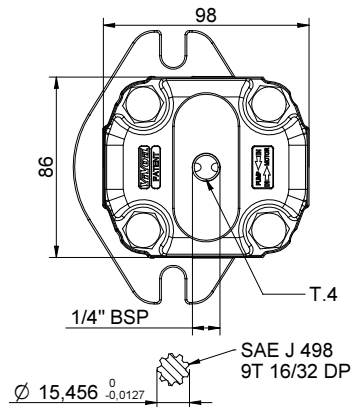
TYPE	Displacement cm3/rev	Max. Pressure		CODE																	
		P1 bar	P3 bar	External drainage				Internal drainage													
XV-2M/04	4,20	260	300	X	2	M	41	31	I	R	R	E	X	2	M	41	31	I	R	R	F
XV-2M/06	6,00	260	300	X	2	M	43	31	I	R	R	E	X	2	M	43	31	I	R	R	F
XV-2M/09	8,40	260	300	X	2	M	45	31	I	R	R	E	X	2	M	45	31	I	R	R	F
XV-2M/11	10,80	260	300	X	2	M	47	31	I	R	R	E	X	2	M	47	31	I	R	R	F
XV-2M/14	14,40	250	290	X	2	M	49	31	I	R	R	E	X	2	M	49	31	I	R	R	F
XV-2M/17	16,80	230	270	X	2	M	51	31	I	R	R	E	X	2	M	51	31	I	R	R	F
XV-2M/19	19,20	210	250	X	2	M	53	31	I	R	R	E	X	2	M	53	31	I	R	R	F
XV-2M/22	22,80	200	240	X	2	M	55	31	I	R	R	E	X	2	M	55	31	I	R	R	F
XV-2M/26	26,20	170	210	X	2	M	57	31	I	S	S	E	X	2	M	57	31	I	S	S	F
XV-2M/30	30,00	160	200	X	2	M	59	31	I	S	S	E	X	2	M	59	31	I	S	S	F
XV-2M/34	34,20	150	190	X	2	M	61	31	I	S	S	E	X	2	M	61	31	I	S	S	F
XV-2M/40	39,60	140	180	X	2	M	63	31	I	S	S	E	X	2	M	63	31	I	S	S	F

P1) Max. working pressure - P3) Max. peak pressure

For heavy-duty applications, it is recommended to check the admissible torque of the shaft

Dimensions table

TYPE	Weight kg	A	B	C	D	E	F	D	E	F
		mm	mm	mm	IN			OUT		
XV-2M/04	2,280	88,0	39,4	78,0	ø15	35	M6x1	ø15	35	M6x1
XV-2M/06	2,380	91,0	39,4	81,0	ø15	35	M6x1	ø15	35	M6x1
XV-2M/09	2,480	95,0	41,4	85,0	ø15	35	M6x1	ø15	35	M6x1
XV-2M/11	2,580	99,0	45,8	89,0	ø15	35	M6x1	ø15	35	M6x1
XV-2M/14	2,780	105,0	45,8	95,0	ø15	35	M6x1	ø15	35	M6x1
XV-2M/17	2,880	109,0	45,8	99,0	ø15	35	M6x1	ø15	35	M6x1
XV-2M/19	2,980	113,0	45,8	103,0	ø15	35	M6x1	ø15	35	M6x1
XV-2M/22	3,130	119,0	53,3	109,0	ø15	35	M6x1	ø15	35	M6x1
XV-2M/26	3,230	123,0	53,3	113,0	ø20	40	M6x1	ø20	40	M6x1
XV-2M/30	3,480	131,0	61,5	121,0	ø20	40	M6x1	ø20	40	M6x1
XV-2M/34	3,680	138,0	61,5	128,0	ø20	40	M6x1	ø20	40	M6x1
XV-2M/40	3,880	147,0	61,5	137,0	ø20	40	M6x1	ø20	40	M6x1



26/08/04 XZRS1310RRE.dft

T.1 = 54÷58.9 [Nm] - screw tightening torque M10


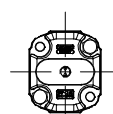

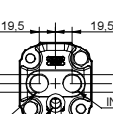
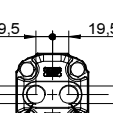
T.2 = 67.1 [Nm] - admissible shaft torque (N.B. When choosing a shaft, always check the admissible torque).

T.4 = 0.3÷0.5 bar - max. drainage pressure

Table of variations

XV-2M

ø82.5 FLANGE "SAE A"

ø82.5 FLANGE "SAE A"		Shaft		Cover			
	31	CI001 - Parallel T.2 = 44.1 [Nm]	A	CI002 - Parallel T.2 = 67.5 [Nm]	B	 External drainage	E
		 Without OR	32	CO001 - Tapered T.2 = 233.2 [Nm]	E		
		SCF04 - Splined T.2 = 67.1 [Nm]	I			 IN + OUT + external	K
						 IN + OUT + internal	L

Displacement	
TYPE	CODE
XV-2M/04	41
XV-2M/06	43
XV-2M/09	45
XV-2M/11	47
XV-2M/14	49
XV-2M/17	51
XV-2M/19	53
XV-2M/22	55
XV-2M/26	57
XV-2M/30	59
XV-2M/34	61
XV-2M/40	63

Standard bodies					
Displacement cm ³ /rev	Standard threads				
	4	O - O	R - R	B - B	Z - Z
6	O - O	R - R	B - B	Z - Z	
9	O - O	R - R	B - B	Z - Z	
11	O - O	R - R	B - B	Z - Z	
14	P - P	R - R	C - C	Z - Z	
17	P - P	R - R	C - C	Z - Z	
19	P - P	R - R	C - C	Z - Z	
22	P - P	R - R	C - C	Z - Z	
26	Q - P	S - S	D - D	Z - Z	
30	Q - P	S - S	D - D	Z - Z	
34	Q - P	S - S	D - D	Z - Z	
40	Q - P	S - S	D - D	Z - Z	

Table showing standard flange and thread combinations available in stock

Body (threads/flanges)													
	A		B		C		D		E		F		G
	H		I		L		M		N		O		P
	Q		R		S		T		U		V	Closed Body Z	